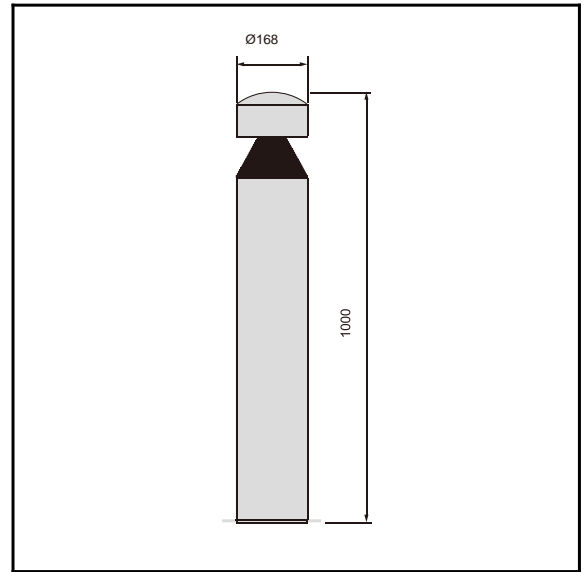




The photograph may not match the reference exactly. Please read the product description to identify the finish.



C-13BS

TECHNICAL CHARACTERISTICS

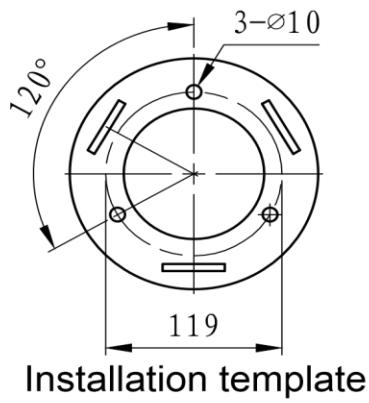
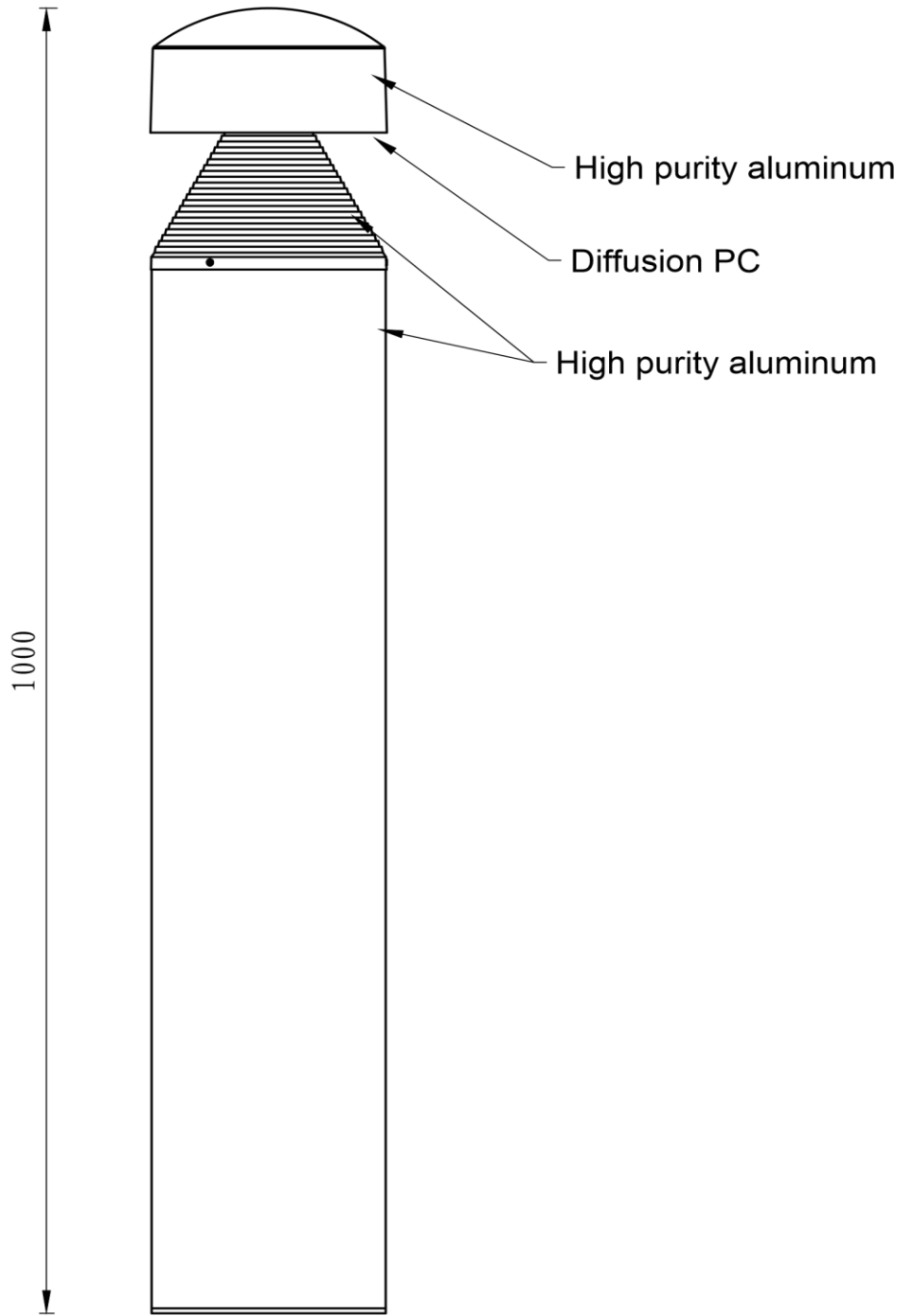
Type:	Bollard lighting
IP Protection degrees:	IP65
IK Protection degrees:	IK08
Light source 1:	Philips 3030 25W Warm White - 4000K 1500 lm ^(N) CRI 75
Total power consumption (W):	26.4
Voltage / Frequency:	100-240V/50-60Hz
Warranty (Years):	3
Units per box:	1
Net Weight (Kg):	6.0



MATERIALS / FINISHES

Structure material: High purity aluminum	Diffuser material: PC
Structure finish: Black	Diffuser finish: Matt

GEAR :Multi-voltage electronic gear included (110-240 V / 50-60 Hz)



C-13BS

OUTDOOR

C-13BS

