

C-14

The photograph may not match the reference exactly.
Please read the product description to identify the finish.

TECHNICAL CHARACTERISTICS

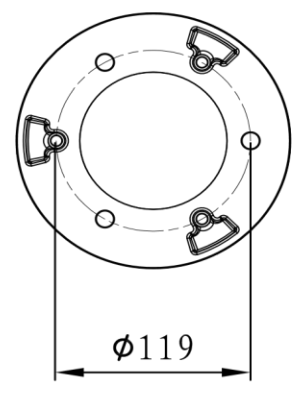
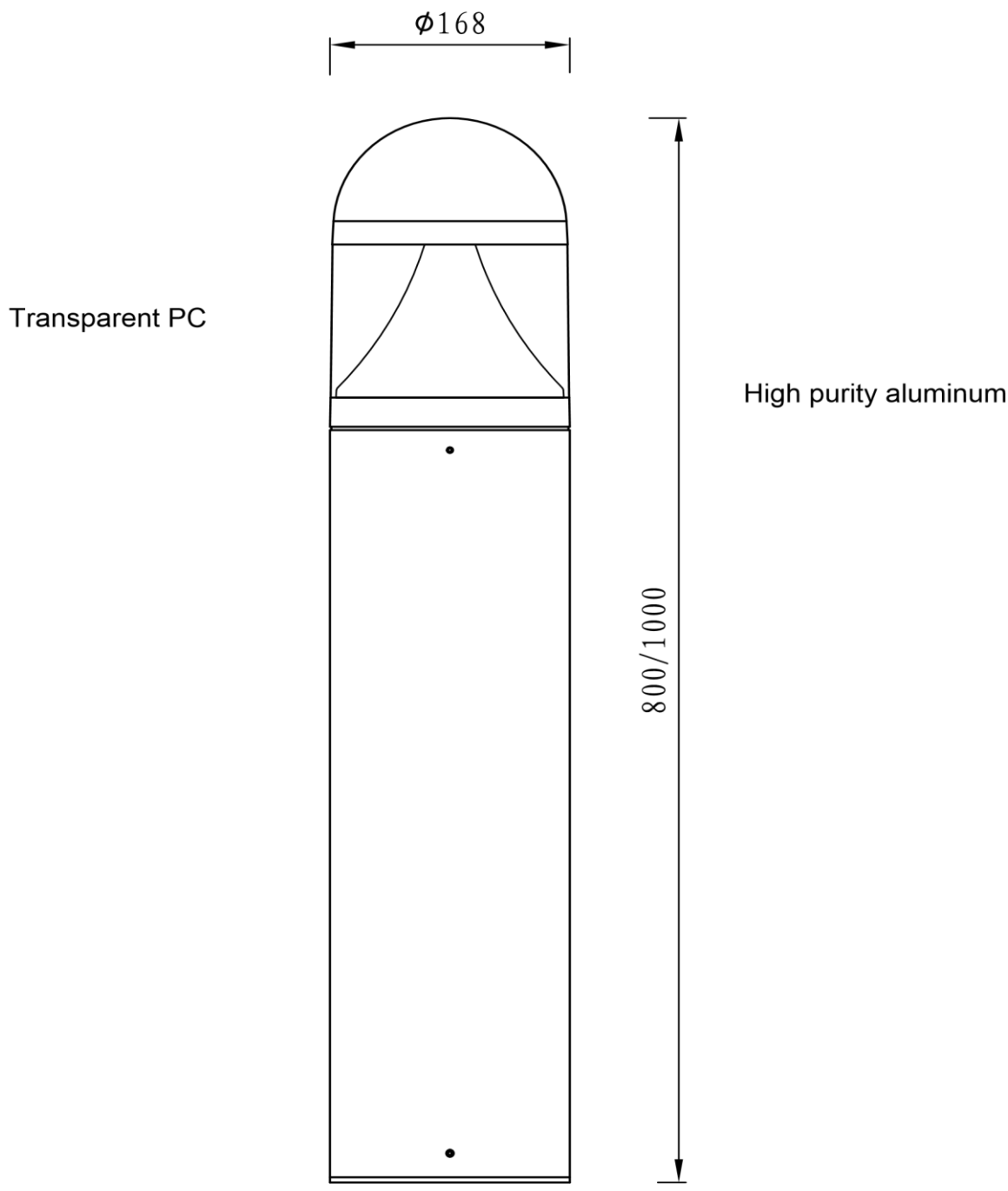
Type:	Bollard lighting
IP Protection degrees:	IP65
IK Protection degrees:	IK08
Light source 1:	132x LED SMD 25W Warm White - 4000K 1650 lm(N) CRI 75
Total power consumption (W):	26.5
Voltage / Frequency:	100-240V/50-60Hz
Warranty (Years):	3
Units per box:	2
Net Weight (Kg):	5.3/5.1



MATERIALS / FINISHES

Structure material: High purity aluminum	Diffuser material: PC
Structure finish: Black	Diffuser finish: Transparent

GEAR :Multi-voltage electronic gear included (110-240 V / 50-60 Hz)



Installation template

OUTDOOR

C-14

