



LED KING - Quality Lighting Solutions
 www.ledkingtx.com
 E-mail:sales@ledkingtx.com



P/N: LKNG-CLW08-018WXYA1-acK

Note:

LKNG= Company name

CLW08= Product series, LED Corn Light

018W = Rating Power

X = LED manufacturer, B = LUMILEDS

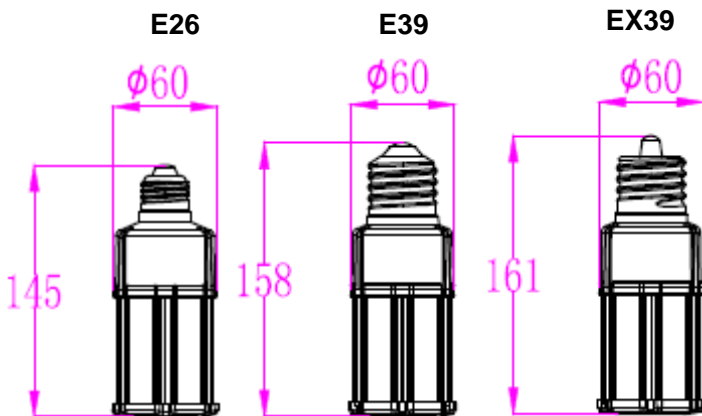
Y = Cover type, X=C, for Clear cover;

X=F, for Frosted cover

a= represent the lamp base type, can be "E" for E39, "EX" for EX39, BLANK for E26.

c=represents CCT, can be two digital.

DIMENSIONS



NOTICE FOR USER

- ◆ Please turn off power before install or change assembly parts.
- ◆ The input voltage and lamps should be matched, after connecting the power line, Please make sure the wiring section is insulated.
- ◆ Make sure to remove or bypass the ballast in the fixtures before install the lamps.
- ◆ Suitable for damp locations. Do not use with dimmers.
- ◆ Suitable for use in enclosed luminaires, min. lamp compartment dimensions: 320*190*190MM.
- ◆ No-professionals, must not install and disassemble the lamps.

ADVANTAGE

- UL cUL certificate.
- 360 degree lighting.
- Can be with clear or frosted cover.
- Big heat sink, NO fan.
- Internal driver, input voltage AC100-277V.
- Meet 4KV surge immunity level
- Long lifespan and good heat dissipation.
- Direct replacement for Metal Halide, easy installation.
- Fits many different fixtures to replace traditional lamps.

APPLICATION

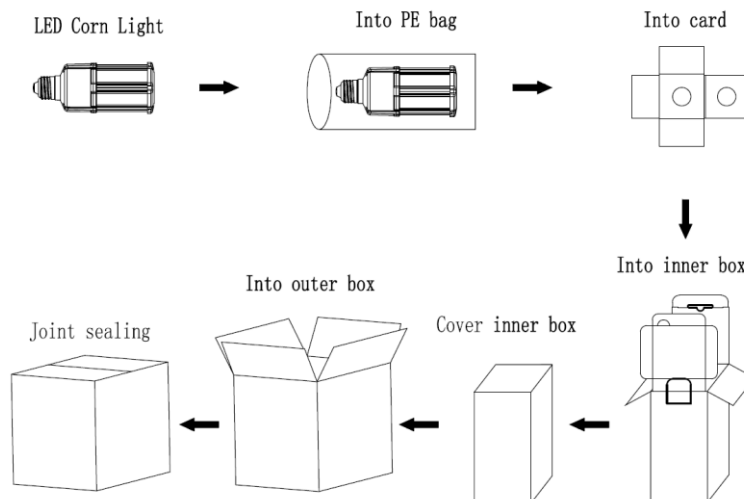
- Widely used in supermarket, warehouse, garage, home, office, hotel, hospital, school, street, garden etc.

SPECIFICATIONS

OPTICAL	Input Power	18W
	Lumen	2250-2610 LM (Clear) / 2070-2250 LM (Frosted)
	Lumen Efficacy	125-2790M/W (Clear) / 115-125 LM/W (Frosted)
	Color Temperature	2700-6500K
	CRI	>80
	Viewing Angle	360 Degree
ELECTRICAL	Input Voltage	100-277VAC 50/60Hz
	PF	≥0.9
	THD	≤20%
	Equivalent	42W CFL, 70W MHL/HPS/HID
MATERIALS	LED Brand	Lumileds
	LED Type	SMD2835
	LED QTY	64 PCS
	Housing	PC + Aluminum
	Housing Color	Any colour
	Cover	Clear / Frosted
	Waterproof Rating	IP64
OTHERS	Operating Temperature	-40°C TO 45°C
	Operating Humidity	20%-70% RH
	Storage Temperature	-40°C TO 80°C
	Storage Humidity	10%-75% RH
	Warranty Time	5 Years

PACKAGE

	Size	Qty / Carton	Net Weight / Carton	Gross Weight / Carton
Inner box	65*65*190MM	1 PC	0.25 KG	0.35 KG
Outer box	280*215*400MM	24 PCS	6.0 KG	9.7 KG



LIGHT DISTRIBUTION TESTING PARAMETERS

Remark: The testing data comes directly from the product test.

Luminaire Property

Luminaire Manufacturer:
Voltage: 119.2 V
Power: 17.35 W

Current: 0.147 A
Power Factor: 0.991

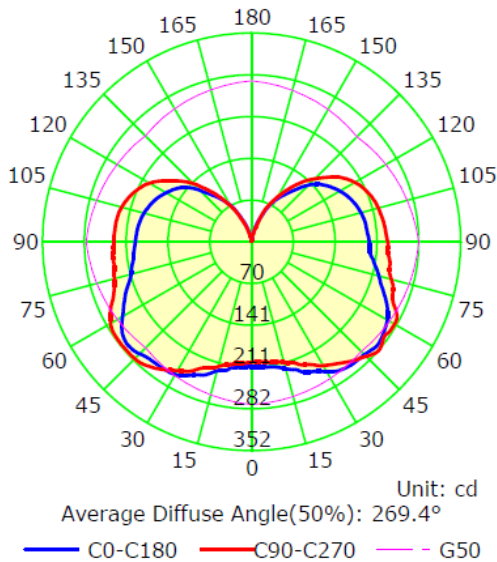
Photometric Results

CIE Class: Semi-Direct
Measurement Flux: 2417 lm
Downward Ratio: 61%
Horizontal Diffuse Angle(50%): H266.7
Vertical Diffuse Angle(50%): V272.8
Luminaire Efficacy Rating (LER): 139.36
Max. Intensity: 282.4 cd
S/MH(C0/C180): 1.85

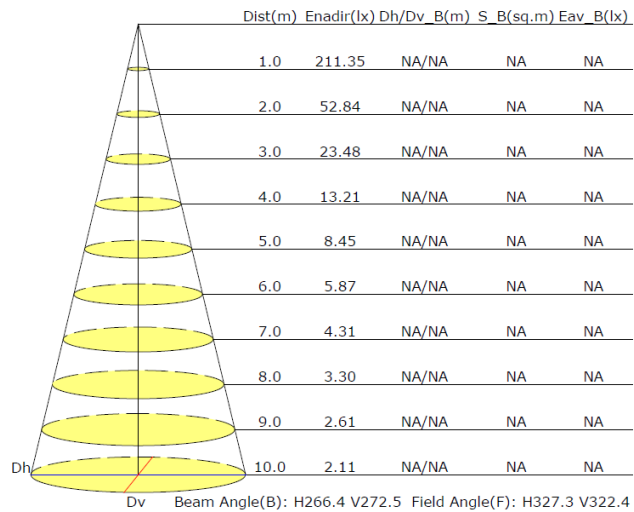
Total Rated Lamp Lumens: 2417.0 lm
Efficiency: 100%
Upward Ratio: 39%

Central Intensity: 211.35 cd
Pos of Max. Intensity: H90 V50
S/MH(C90/C270): 1.94

Luminous Intensity Distribution Curve



Illuminance at a Distance(Beam Angle)



TROUBLE SHOOTINGS

Troubles	Check points
Flickering of the light	Turn off the power and turn on again in 3 minutes. If same phenomena occur, then call agencies.
Out of working	Please check the connection.