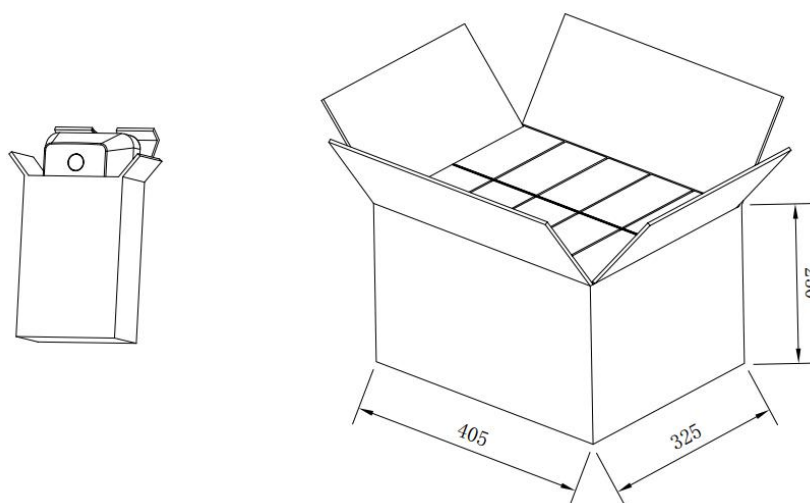


TECHNICAL DATA SHEET

Package

Lamps Net Weight: 0.82kg / pcs

	Size	Qty/Carton	Weight/Carton
Outer box	405 X 325 X 250 mm	10	10 kg
Inner box	151 X 78 X 228 mm	1	0.92 Kg



Notice For User

- ◆ Please turn off power before install or change assembly parts.
- ◆ The input voltage and lamps should be matched, after connecting the power line, Please make sure the wiring section is insulated.
- ◆ No-professionals, must not install and disassemble the lamps.

Trouble Shootings

Troubles	Check points
Flickering of the light	Turn off the power and turn on again in 3 minutes. If same phenomena occur, then call agencies
Out of working	Please check the connection