

SPECIFICATION SHEET JLEU5WP

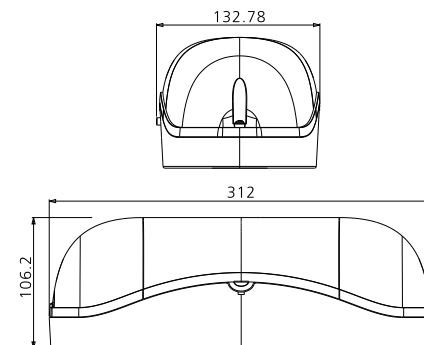
WET LOCATION LED EMERGENCY LIGHT

Features:

- Injection-molded thermoplastic ABS housing and polycarbonate cover, UL 94V-0 flame rating.
- Innovative, easy installation in minutes
- Suitable for wall and ceiling mount applications
- Universal J-box mounting pattern
- 120V/277VAC Dual voltage operation
- 2X12pcs Super bright 2835 0.5W LED lamp heads for emergency mode, provide more than 400Lm output.
- Built-in 3.6V2000mAh Nickel cadmium battery for minimum 90 minutes emergency operation.
- Maximum 24 hours for full recharge time
- Test switch and charge indicator
- UL and cULus Wet location listed
- 0° to 40°C indoor damp location listed
- Five years warranty for the electrical parts and housing.
- Two years warranty for battery.



Dimension

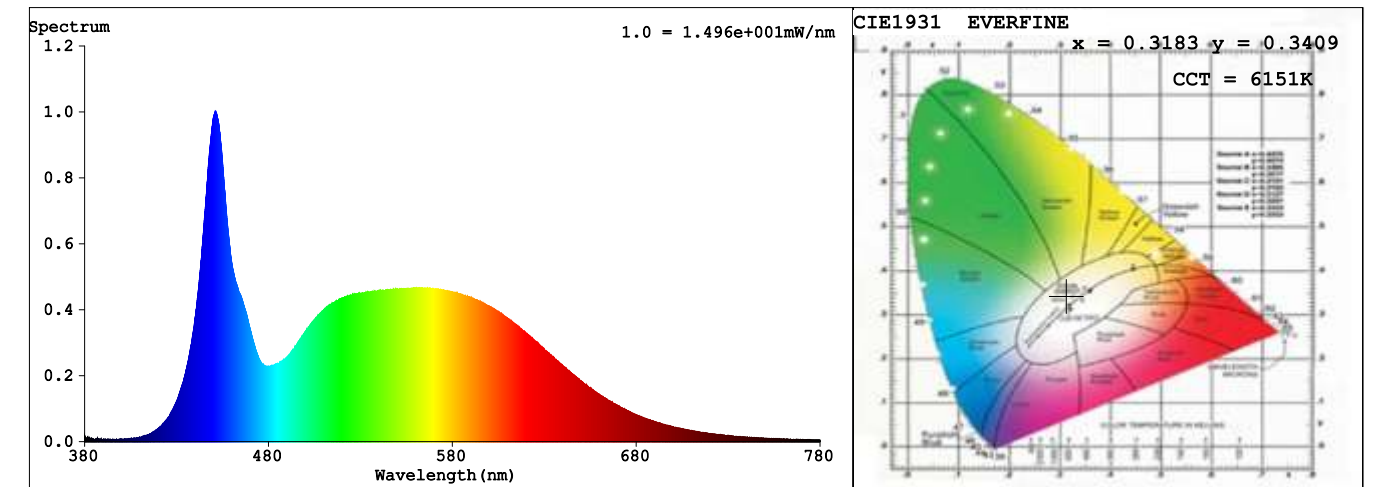


Model No.	JLEU5WP
Charging time	24h
The AC voltage	120V/277V 50-60Hz
AC charging current(max)	15/30mA
DC charging voltage	4.2-4.5V
DC charging current(max)	40~50mA
Discharge time	90mins
Discharge current	350MA-500MA
Luminous flux	454.16lm
Color temperature	6151K
Packing information	46.6x34.2x27.5cm/6pcs 7.26/6.66kgs

SPECIFICATION SHEET JLEU5WP

WET LOCATION LED EMERGENCY LIGHT

Spectra:



Spectral Distribution

CIE1931 Chromaticity Diagram

Colorimetric Parameters

Chromaticity Coordinate: $x = 0.3183$ $y = 0.3409$ / $u' = 0.1973$ $v' = 0.4753$ ($duv=6.44e-03$)

CCT= 6151K Prcp WL: Ld=498.2nm Purity=4.7%

Peak WL: Lp=451nm FWHM: =19.0nm Ratio:R=13.5% G=81.2% B=5.4%

Render Index: Ra = 82.4

R1 =80 R2 =87 R3 =92 R4 =82 R5 =81 R6 =82 R7 =88

R8 =68 R9 =2 R10=69 R11=81 R12=58 R13=82 R14=96 R15=74

Photometric & Radiometric Parameters

Flux = 454.16 lm Eff. : 0.00 lm/W Fe = 1.4380 W

Electrical parameters

V = 0 VI = 0 A P = 0 W PF = 1.000 F=0.00 Hz