

SPECIFICATION SHEET JLEU9

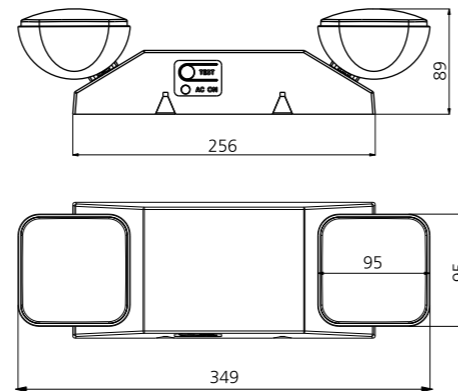
DUAL HEAD EMERGENCY LIGHT

Features:

- Injection-molded thermoplastic ABS housing, UL 94V-0 flame rating.
- Innovative, easy installation in minutes.
- Suitable for wall mount applications.
- Universal J-box mounting pattern.
- 120V/277VAC Dual voltage operation.
- 2X12pcs ultra bright 2835 SMT LED lamp heads for emergency mode.(JLEU9)
- Low profile 2X8pcs ultra bright 2835 SMT LED lamp heads for emergency mode(JLEU9L)
- Built-in 3.6V600mAh Nickel cadmium battery for minimum 90 minutes emergency operation. (JLEU9L)
- Built-in 3.6V1000mAh Nickel cadmium battery for minimum 90 minutes emergency operation. (JLEU9)
- Built-in 3.6V2000mAh Nickel cadmium battery for minimum 90 minutes emergency operation. (JLEU9RC,Remote capability up to 2W)
- Maximum 24 hours for full recharge time.
- Test switch and charge indicator.
- UL and cULus listed.
- 0° to 40° C indoor damp location listed.
- Five years warranty for the electrical parts and housing.
- Three years warranty for battery.



Dimension

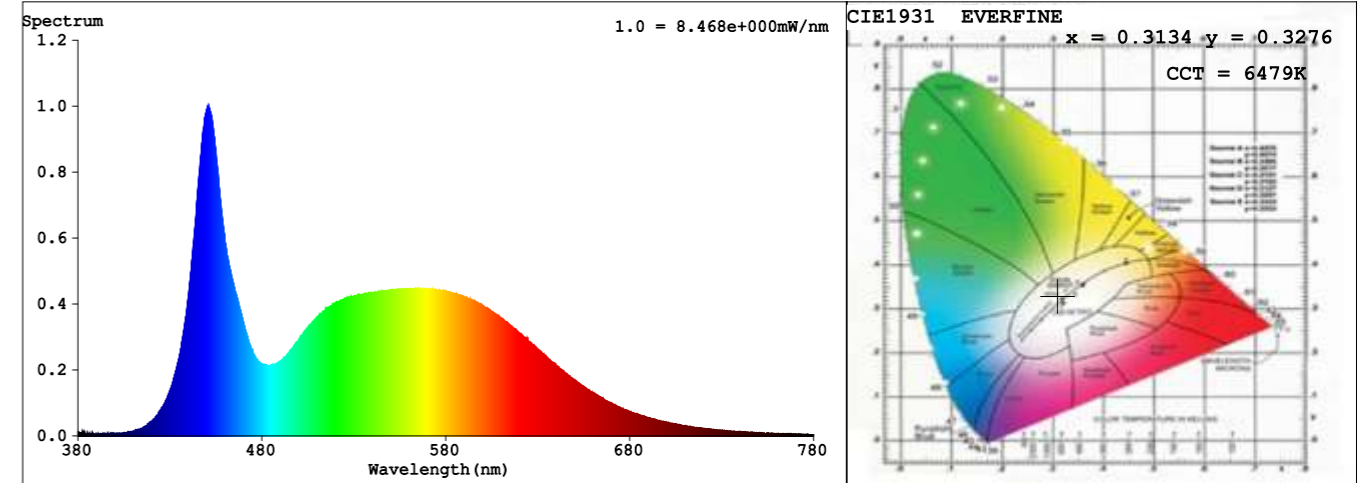


Model No.	JLEU9
Charging time	24h
The AC voltage	AC120V /60Hz AC277V /60HZ
AC charging current	AC 8 -20mA AC 4 -15mA
DC charging voltage	4.2-4.6V
DC charging current	DC 35 -48mA
Discharge time	90mins
Discharge current	350MA-500MA
Luminous flux	244.41 lm
Color temperature	6479K
Packing information	37×21×38cm/6pcs 5.5/4.5kgs

SPECIFICATION SHEET JLEU9

DUAL HEAD EMERGENCY LIGHT

Spectra:



Spectral Distribution

CIE1931 Chromaticity Diagram

Colorimetric Parameters

Chromaticity Coordinate: x = 0.3134 y = 0.3276 / u' = 0.1989 v' = 0.4677 (duv=2.10e-03)

CCT= 6479K Prcp WL: Ld=487.9nm Purity=7.2%

Peak WL: Lp=451nm FWHM: =21.7nm Ratio:R=13.5% G=81.1% B=5.5%

Render Index: Ra = 82.6

R1 =81 R2 =87 R3 =90 R4 =83 R5 =82 R6 =81 R7 =88

R8 =70 R9 =6 R10=68 R11=82 R12=57 R13=83 R14=94 R15=77

Photometric & Radiometric Parameters

Flux = 244.41 lm Eff. : 0.00 lm/W Fe = 789.55 mW

Electrical parameters

V = 0 VI = 0 A P = 0 W PF = 1.000 F=0.00 Hz