

PT01 | Post Top Bollard

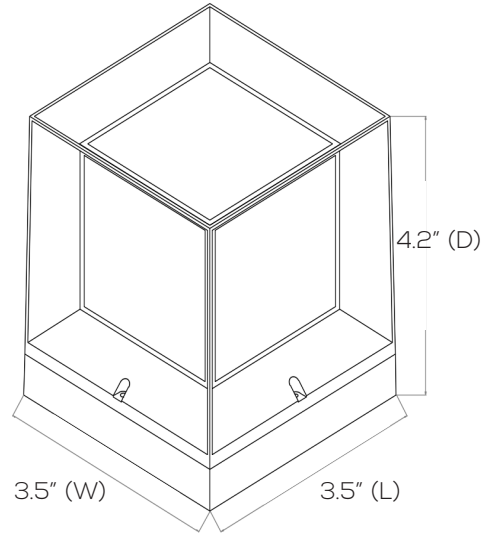
Project _____ Type _____

Notes _____ Date _____

COMMON STOCK MODELS

Model Number
SES-PT01-E26

DIMENSIONS



INSTALLATION

