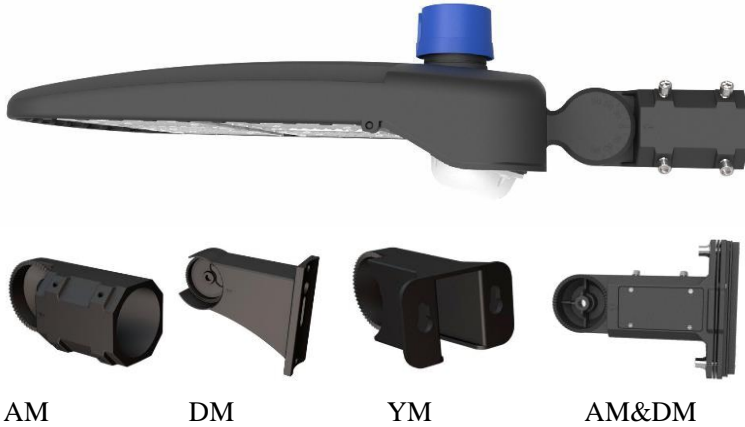


# TECHNICAL DATASHEET



NAME: LED ShoeBox Light

P/N: -S-GA-240WXYH1-abcef

Note:

The letter "X" in P/N stands for LED manufactory, A means LUMILEDS 3030,C means Seoul 3030;

The letter "Y" can be "T1" to "T9" and suffix blank or "A" to "Z" to represent different Diffuser light angle type employed, eg. it can be T4 or T4L or T4M;

The letter "a" can be can be 2 letters represent lamp colors;

The letter "b" can be "P" or blank to represent Photocell or None Photocell;

The letter "c" can be "S" or blank to represent Surge protector or None Surge protector;

The letter "e" can be "AM","YM","TM","AM&DM"represent bracket type. The letter "f" can be any two-digit number to represent CCT.

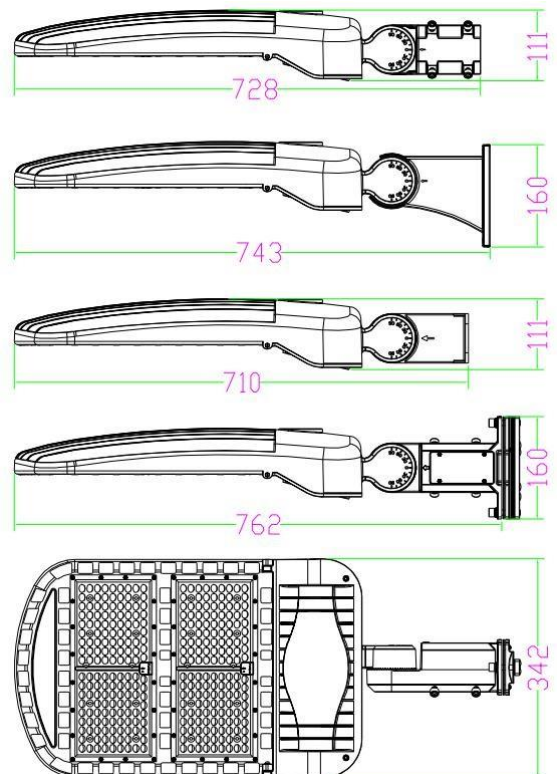
## Advantage:

- UL cUL certificate
- Lumileds or Seoul Chip, high CRI
- IP65 driver, Input voltage 200-480Vac
- Optional Photocell and surge protection function
- No UV or IR in the beam
- Easy to install and operate
- Energy saving, Long lifespan
- Light is soft and uniform, Safe to eyes ➤ Instant start, NO flickering, NO humming ➤ Green and eco-friendly without mercury.
- Outdoor basketball court, tennis court.

## Application:

- Badminton court, the football field.
- The school playground, stadium.
- Community leisure entertainment plaza, road lamp etc.

## Product Specifications:



Product name	LED ShoeBox Light			
Part No	LKNG-S-GA-240WXYH1-abcef			
Mounting Brackets	AM	DM	YM	AM&DM
Dimension	728*342*111MM	743*342*160MM	710*342*111MM	607*342*160MM

### Technical Characteristic:

Color temperature	2700-6500K		
CRI	>70		
Lumen	31200-34800LM		
Lumen Efficacy	130-145 LM/W		
Input Power	240W		
Standard Viewing Angle	150*85 Degree (Type III)		
Optional Viewing Angle	150*85 Degree (Type III)	160 Degree (Type V)	
Input Voltage	200-480Vac 50/60Hz		
Driver model	MEAN WELL		
PF	>0.9		
Waterproof Rating	IP65		

### Materials:

ED Brand	LUMILEDS or Seoul
LED Type	3030
LED QTY	252 PCS
Housing	Aluminum
Optional Accessory	Photocell Surge protector
Housing color	Black、Brown

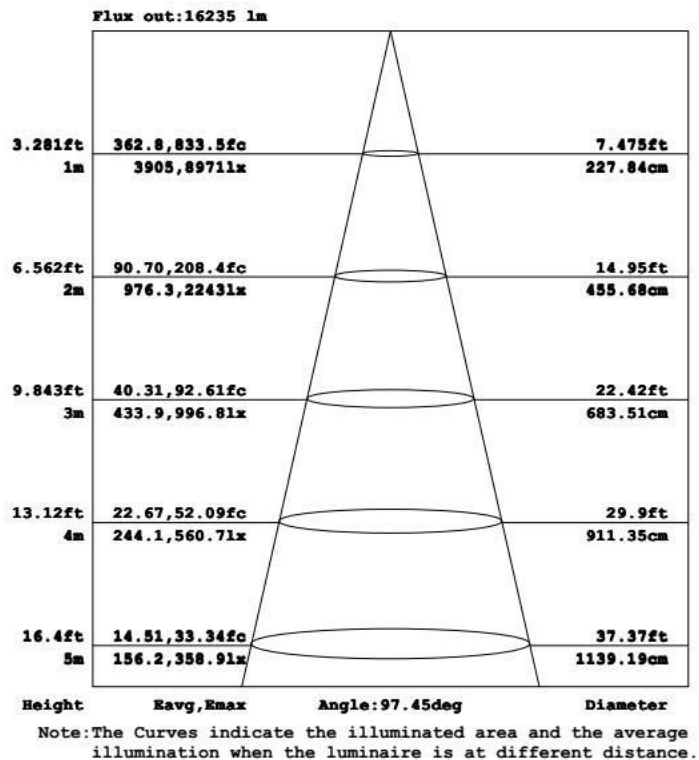
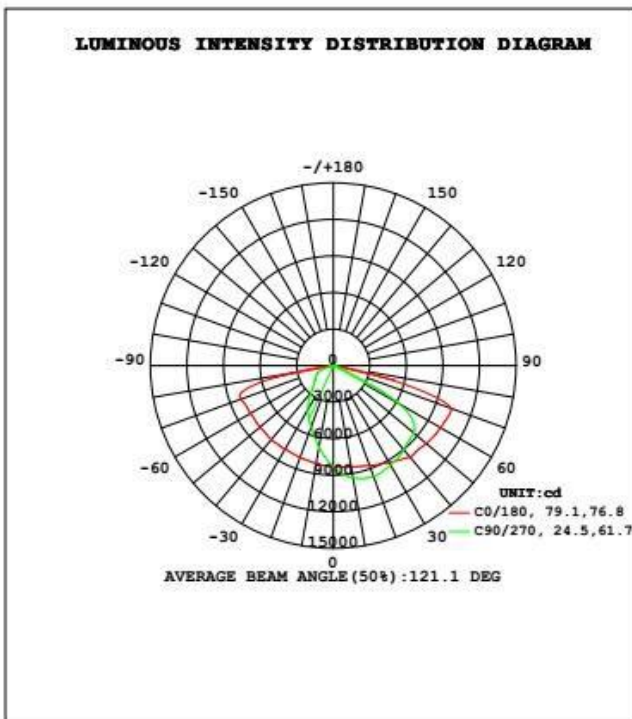
### Others:

Operating Temperature	-20℃ TO 45℃
Operating Humidity	20%-90% RH
Storage Temperature	-30℃ TO 80℃
Storage Humidity	10%-95%
Application	Outdoor / Indoor
Safety Certification	UL、cUL

Warranty Time	5 Years
---------------	---------

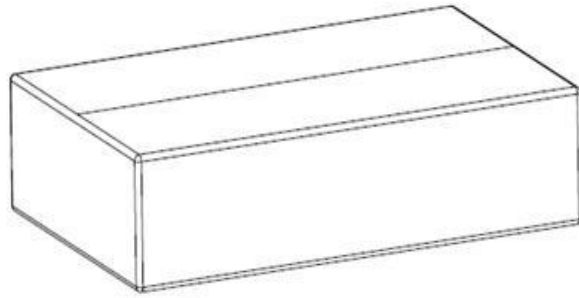
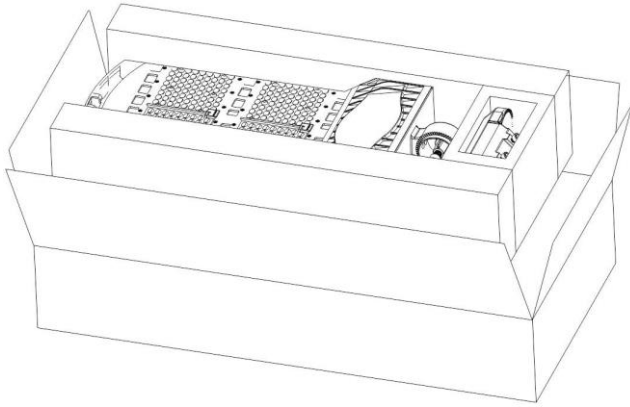
### Light Distribution Testing Parameters:

DATA OF LAMP		PHOTOMETRIC DATA			
MODEL		Imax (cd)	13160	$\eta$ street_up (%)	1.47
NOMINAL POWER (W)	240	LOR (%)	100.0	$\eta$ street_down (%)	0.79
RATED VOLTAGE (V)	277	TOTAL FLUX (lm)	32967	$\eta$ house_up (%)	0.1, 68.1
NOMINAL FLUX (lm)	32966.5	MAXIMUM @ (C, $\gamma$ )	DIRECT	$\eta$ house_down (%)	0.1, 31.6
LAMPS INSIDE	1	$\eta$ up (%)	0.2	76 FLASHAREA (m2)	1.50
TEST VOLTAGE (V)	277	$\eta$ down (%)	99.8	SLI	1.50



### Package:

	Lamps Net Weight	Size	Qty/ Carton	Weight/ Carton
AM	6.2KG	770 x 395 x 180mm	1	7.7KG
DM	6.5KG	770 x 395 x 180mm	1	8.0KG
YM	6.0KG	770 x 395 x 180mm	1	7.5KG
AM&DM	6.9KG	770 x 395 x 180mm	1	8.4KG



### Notice For User:

- ◆ Please turn off power before install or change assembly parts.
- ◆ The input voltage and lamps should be matched, after connecting the power line, Please make sure the wiring section is insulated.
- ◆ No-professionals, must not install and disassemble the lamps.

### Trouble Shootings:

Troubles	Check points
Flickering of the light	Turn off the power and turn on again in 3 minutes. If same phenomena occur, then call agencies
Out of working	Please check the connection