

# TECHNICAL DATASHEET



AM                      DM                      YM                      AM&DM



NAME: LED ShoeBox Light

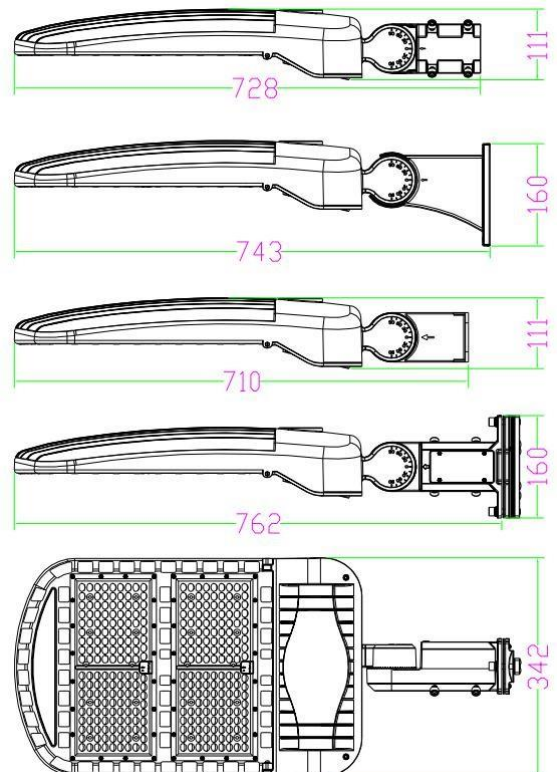
P/N:                      -S-GA-300WXYB1-abcdef

**Note:**

- The letter "X" in P/N stands for LED manufactory, A means LUMILEDS 3030,C means Seoul 3030;
- The letter "Y" can be "T1" to "T9" and suffix blank or "A" to "Z" to represent different Diffuser light angle type employed, eg. it can be T4 or T4L or T4M;
- The letter "a" can be can be 2 letters represent lamp colors;
- The letter "b" can be "P" or blank to represent Photocell or None Photocell;
- The letter "c" can be "S" or blank to represent Surge protector or None Surge protector;
- The letter "d" can be "M" or None,represnet Motionsensor or None Motionsensor.
- The letter "e" can be "AM","YM","TM","AM&DM"represent bracket type.
- The letter "f" can be any two-digit number to represent CCT.

**Advantage:**

- UL cUL certificate
- Lumileds or Seoul Chip, high CRI
- IP65 driver, Input voltage 100-277Vac
- Optional Photocell and surge protection function
- No UV or IR in the beam
- Easy to install and operate
- Energy saving, Long lifespan
- Light is soft and uniform, Safe to eyes
  
- Instant start, NO flickering, NO humming
  
- Green and eco-friendly without mercury.



## Application:

- Outdoor basketball court, tennis court.
- Badminton court, the football field.
- The school playground, stadium.
- Community leisure entertainment plaza, road lamp etc.

## Product Specifications:

|                   |                           |               |               |               |
|-------------------|---------------------------|---------------|---------------|---------------|
| Product name      | LED ShoeBox Light         |               |               |               |
| Part No           | LKNG-S-GA-300WXYB1-abcdef |               |               |               |
| Mounting Brackets | AM                        | DM            | YM            | AM&DM         |
| Dimension         | 728*342*111MM             | 743*342*160MM | 710*342*111MM | 607*342*160MM |

## Technical Characteristic:

|                        |                          |                     |
|------------------------|--------------------------|---------------------|
| Color temperature      | 2700-6500K               |                     |
| CRI                    | >70                      |                     |
| Lumen                  | 39000-43500LM            |                     |
| Lumen Efficacy         | 130-145 LM/W             |                     |
| Input Power            | 300W                     |                     |
| Standard Viewing Angle | 150*85 Degree (Type III) |                     |
| Optional Viewing Angle | 150*85 Degree (Type III) | 160 Degree (Type V) |
| Input Voltage          | 100-277Vac 50/60Hz       |                     |
| Driver model           | MEAN WELL                |                     |
| PF                     | >0.9                     |                     |
| Waterproof Rating      | IP65                     |                     |

## Materials:

|                    |                           |
|--------------------|---------------------------|
| ED Brand           | LUMILEDS or Seoul         |
| LED Type           | 3030                      |
| LED QTY            | 308 PCS                   |
| Housing            | Aluminum                  |
| Optional Accessory | Photocell Surge protector |
| Housing color      | Black、Brown               |

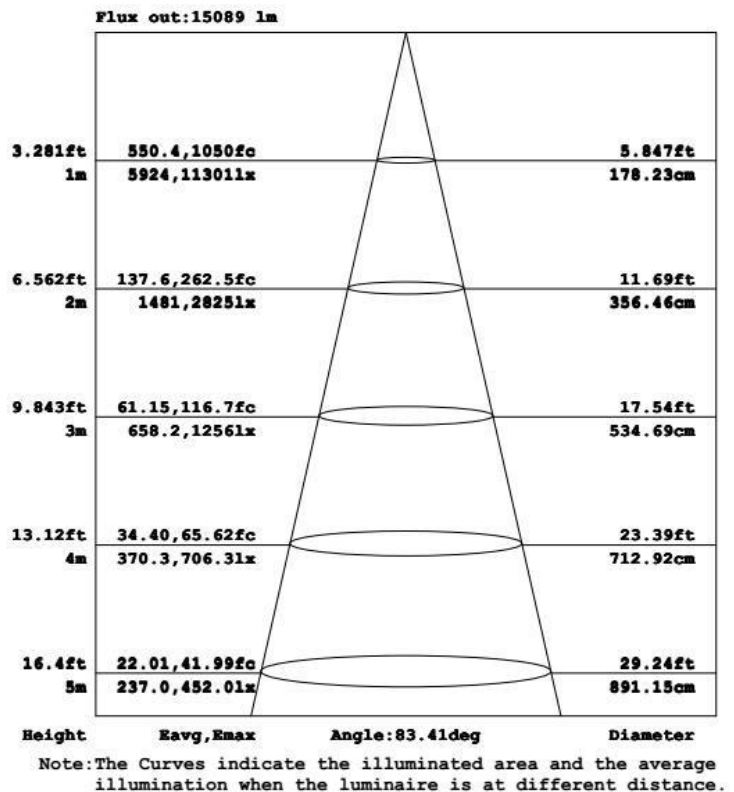
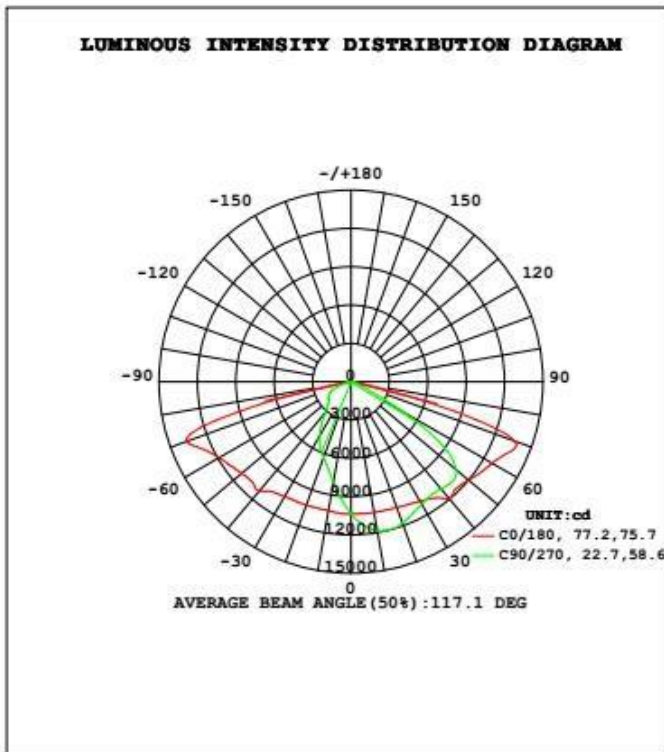
## Others:

|                       |             |
|-----------------------|-------------|
| Operating Temperature | -20℃ TO 45℃ |
|-----------------------|-------------|

|                      |                  |
|----------------------|------------------|
| Operating Humidity   | 20%-90% RH       |
| Storage Temperature  | -30°C TO 80°C    |
| Storage Humidity     | 10%-95%          |
| Application          | Outdoor / Indoor |
| Safety Certification | UL、cUL           |
| Warranty Time        | 5 Years          |

### Light Distribution Testing Parameters:

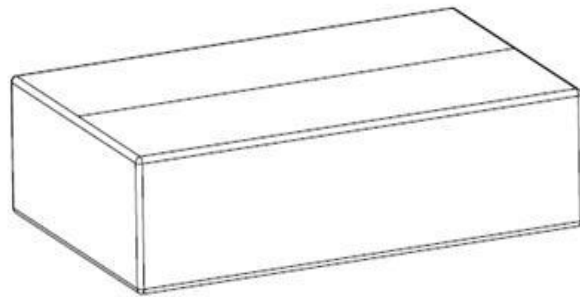
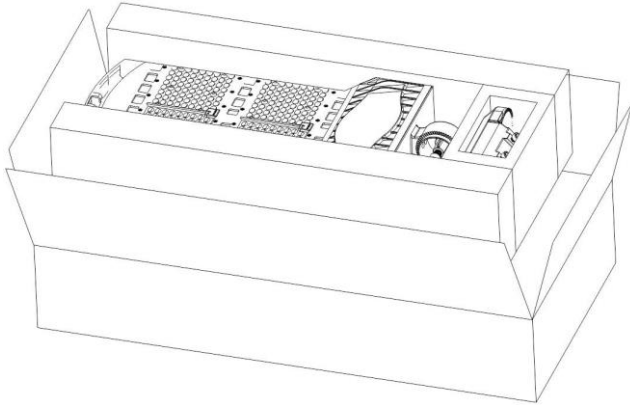
| DATA OF LAMP      |         | PHOTOMETRIC DATA Eff: 136.82 lm/W |        |                        |           |
|-------------------|---------|-----------------------------------|--------|------------------------|-----------|
| MODEL             |         | Imax (cd)                         | 19539  | $\eta$ street_up (%)   | 1.63      |
| NOMINAL POWER (W) | 300     | LOR (%)                           | 100.0  | $\eta$ street_down (%) | 0.74      |
| RATED VOLTAGE (V) | 120     | TOTAL FLUX (lm)                   | 41869  | $\eta$ house_up (%)    | 0.1, 67.3 |
| NOMINAL FLUX (lm) | 41868.7 | MAXIMUM @ (C, $\gamma$ )          | DIRECT | $\eta$ house_down (%)  | 0.1, 32.5 |
| LAMPS INSIDE      | 1       | $\eta$ up (%)                     | 0.2    | 76 FLASHAREA (m2)      | 1.25      |
| TEST VOLTAGE (V)  | 120     | $\eta$ down (%)                   | 99.8   | SLI                    | 1.35      |



### Package:

|  | Lamps Net Weight | Size | Qty/ Carton | Weight/ Carton |
|--|------------------|------|-------------|----------------|
|  |                  |      |             |                |

|       |       |                   |   |       |
|-------|-------|-------------------|---|-------|
| AM    | 6.8KG | 770 x 395 x 180mm | 1 | 8.3KG |
| DM    | 7.1KG | 770 x 395 x 180mm | 1 | 8.6KG |
| YM    | 6.6KG | 770 x 395 x 180mm | 1 | 8.1KG |
| AM&DM | 7.5KG | 770 x 395 x 180mm | 1 | 9.0KG |



### Notice For User:

- ◆ Please turn off power before install or change assembly parts.
- ◆ The input voltage and lamps should be matched, after connecting the power line, Please make sure the wiring section is insulated.
- ◆ No-professionals, must not install and disassemble the lamps.

### Trouble Shootings:

| Troubles                | Check points   |
|-------------------------|--|
| Flickering of the light | Turn off the power and turn on again in 3 minutes. If same phenomena occur, then call agencies |
| Out of working          | Please check the connection  |