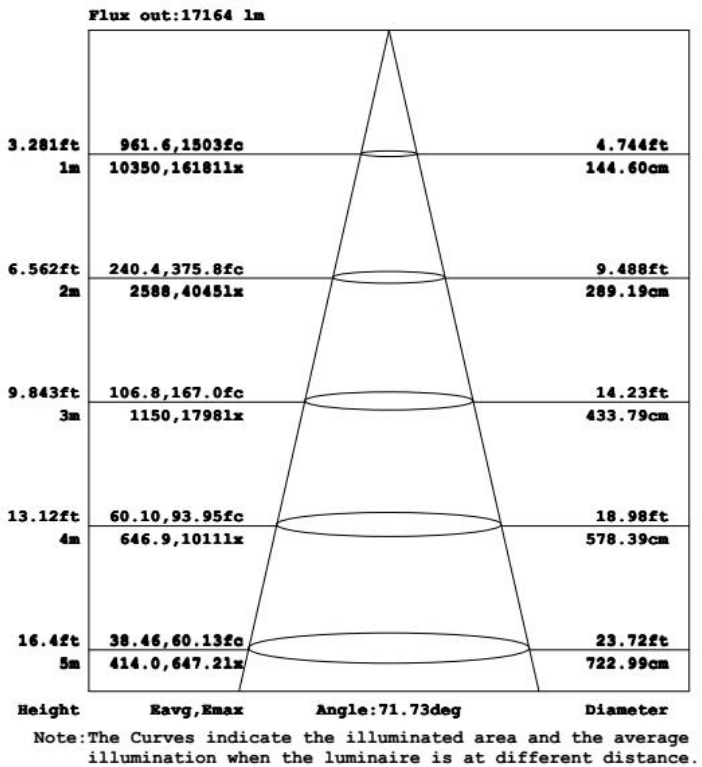
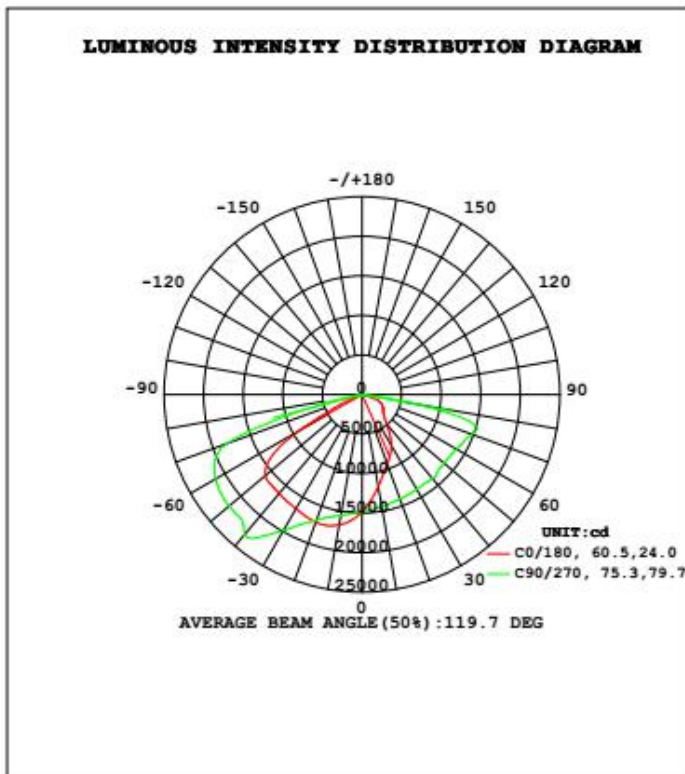


TECHNICAL DATA SHEET

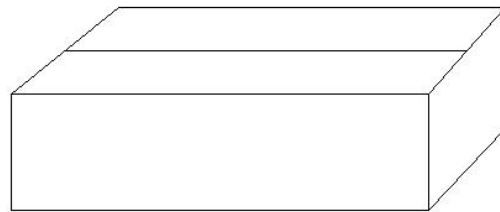
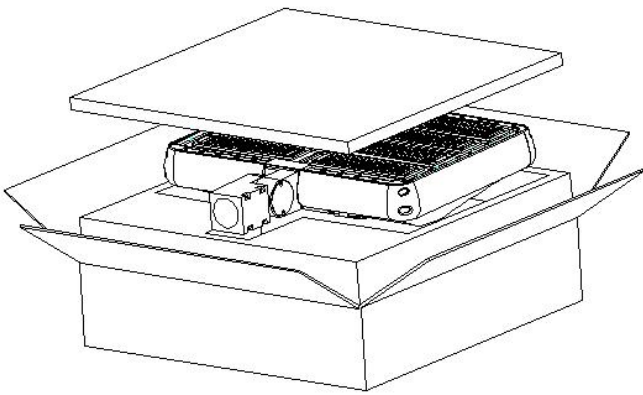
Light Distribution Testing Parameters

DATA OF LAMP		PHOTOMETRIC DATA <i>Eff: 129.59 lm/W</i>			
MODEL		I _{max} (cd)	26713	S/MH (C0/180)	1.67
NOMINAL POWER (W)	480	LOR (%)	100.0	S/MH (C90/270)	2.06
RATED VOLTAGE (V)	120	TOTAL FLUX (lm)	60853	η UP, DN (C0-180)	0.1, 42.8
NOMINAL FLUX (lm)	60852.9	CIE CLASS	DIRECT	η UP, DN (C180-360)	0.1, 56.9
LAMPS INSIDE	1	η up (%)	0.2	CIBSE SHR NOM	1.50
TEST VOLTAGE (V)	120.0	η down (%)	99.8	CIBSE SHR MAX	1.55



Package

	Lamps Net Weight	Size	Qty/Carton	Weight/Carton
SNC-SB-480W-1111-1601	17.5KG	715*705*195mm	1	20.5KG
SNC-SB-480W-1112-1601	17KG	715*705*195mm	1	20KG
SNC-SB-480W-1113-1601	17KG	715*705*195mm	1	20KG



Notice For User

- ◆ Please turn off power before install or change assembly parts.
- ◆ The input voltage and lamps should be matched, after connecting the power line, Please make sure the wiring section is insulated.
- ◆ No-professionals, must not install and disassemble the lamps.

Trouble Shootings

Troubles	Check points
Flickering of the light	Turn off the power and turn on again in 3 minutes. If same phenomena occur, then call agencies
Out of working	Please check the connection