



Led King Quality Lighting Solution  
E-mail: sales@ledkingtx.com  
www.ledkingtx.com

## NAME: LED SPORT LIGHT

P/N: LKG-SP01B-750WSXYB1-abcdef

The letter "X" in P/N stands for LED manufactory, C means SEOUL 3030;

The letter "Y" can be "S1" to "S9" or "T1" to "T9", S1=12°, S2=15°, S3=30°, S4=40°, S6=60°, T1=20°, T2=120°"

The letter "a" can be can be 2 letters represent lamp colors; "BH = Black、WH=White、BR=Brown or Customized"

The letter "b" can be "C" for Frontcover provided or blank for no Frontcover provided;

The letter "c" can be "S" or blank to represent Surge protector or None Surge protector;

The letter "d" can be "AM" or "FM";

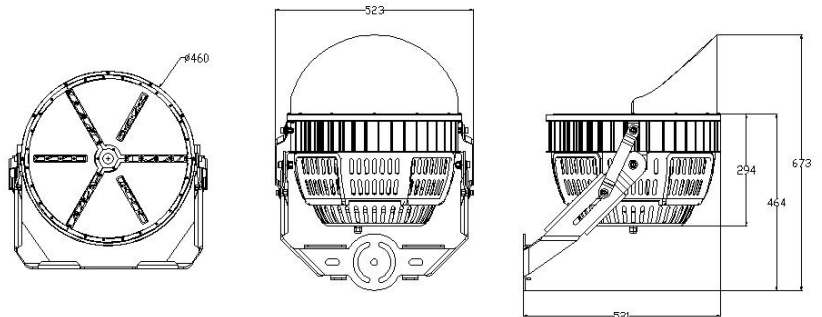
The letter "e" can be "B" for connecting box or blank for no connecting box;

The letter "f" can be any two-digit number to represent CCT. d=27~65, for 2700k~6500k



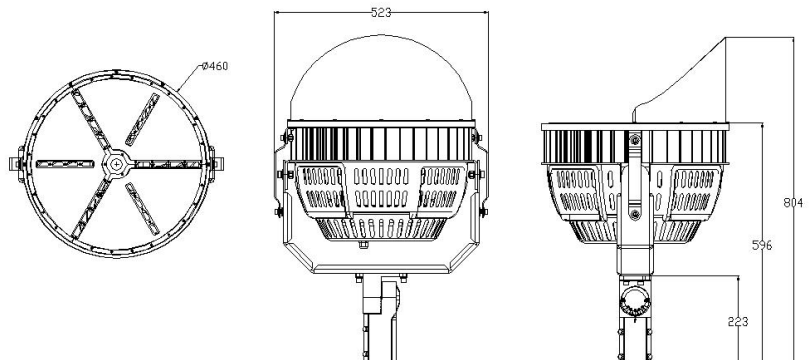
### Advantage:

- UL cUL certificate
- Input voltage 100-277Vac
- No UV or IR in the beam
- Easy to install and operate
- Energy saving, long lifespan
- Instant start, NO flickering, NO humming
- Green and eco-friendly without mercury
- Output constant current lever can be adjusted through output cable with 1-10V.



### Application:

- ◆ Gymnasium;
- ◆ Square plaza;
- ◆ Shipyard, Airport, wharf;
- ◆ High mast and Contour lighting, etc.



## Product Specifications

Product name	LED Sport Light	
Part No	LKG-SP01B-750WSXYB1-abcdef	
Mounting Brackets	FM	AM
Dimension	673*523*521 mm	804*523*460MM

## Technical Characteristic

Color temperature	2700k-6500k
CRI	>70
Lumen	72000-90000LM
Input Power	600W
Lumen Efficacy	120-145 LM/W
Beam Angle(50%)	12°/15°/20°/30°/40°/60°/120°
Input Voltage	100-277Vac 50/60Hz
Driver Brand	China Brand Driver SS-240VP-56BH*3PCS
PF	>0.9
Waterproof Rating	WET(IP65)
EPA	2.5ft <sup>2</sup>

## Materials

LED Brand	SEOUL
LED Type	SMD 3030
LED QTY	840 PCS
Housing	Aluminum
Housing color	Black / Brown/white/Customized
Cover	LENS

## Others

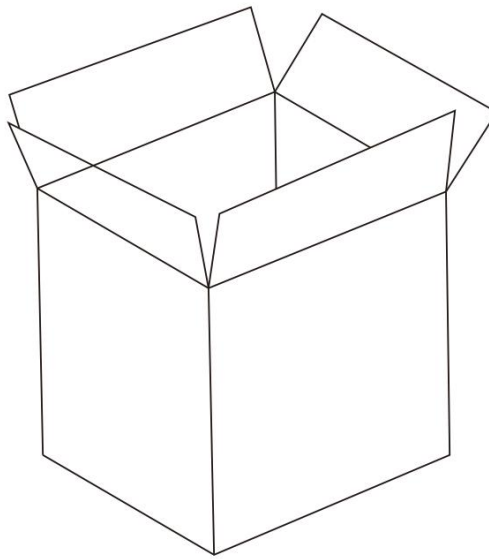
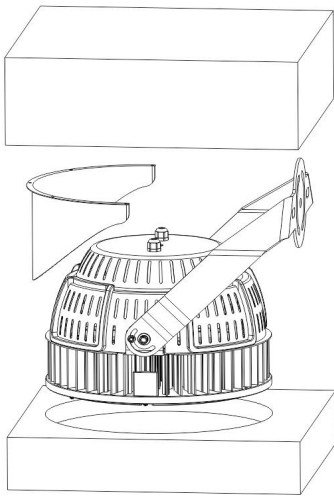
Operating Temperature	-40°C TO 45°C
Operating Humidity	10% RH -90% RH
Storage Temperature	-40°C TO 80°C
Storage Humidity	10% RH -90% RH
Application	Outdoor
Safety Certification	UL cUL
Warranty Time	5 Years

## Light Distribution Testing Parameters

## Package

**Lamp Net Weight: 28.5 KG / PC**

	Size	Qty / Carton	Gross Weight / Carton
Outer box	630*570*565 mm	1 PC	32.5 KG



## Notice For User

- ◆ Please turn off power before install or change assembly parts.
- ◆ The input voltage and lamps should be matched, after connecting the power line, Please make sure the wiring section is insulated.
- ◆ No-professionals, must not install and disassemble the lamps.

## Trouble Shootings

Troubles	Check points
Flickering of the light	Turn off the power and turn on again in 3 minutes. If same phenomena occur, then call agencies.
Out of working	Please check the connection.