



AME: Solar LED Street Light

P/N: S-ESL01-30WX50A1-ack

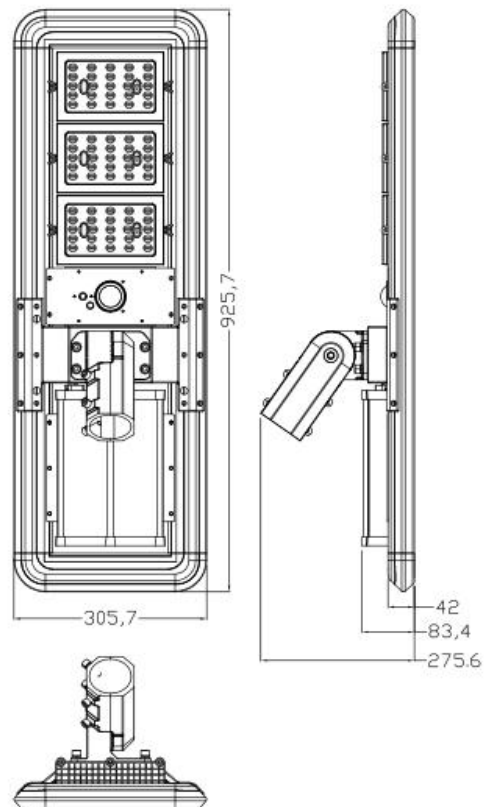
- Note: 1.The Letter **X** in P/N stands for LED manufactory, could be any alphabet.
 2.The Letter **a** in P/N stands for remote control, can be "RC" or blank.
 3. The Letter **c** in P/N stands for CCT, which can be any two digital.

Advantage:

- IP66 Internal driver,
- Input voltage 18VDC
- No UV or IR in the beam
- Easy to install and operate
- Energy saving, long lifespan
- Light is soft and uniform, safe to eyes
- Instant start, NO flickering, NO humming
- Green and eco-friendly without mercury.

Application:

- ◆ Roadway lighting
- ◆ Gymnasium,park,parking lot
- ◆ All kinds of residential area, courtyard.



Product Specifications

Product name	Solar LED Street Light
Part No	S-ESL01-30WX50A1-acK
Dimension	925.7*305.7*275.6mm

Technical Characteristic

Color temperature	2700-6500K
CRI	>70
Lumen	4500-5000LM
Input Power	30W
Viewing Angle	TYPE II
Input Voltage	18V DC
Waterproof Rating	WET (IP66)
Solar Panel Wattage	42W
Battery	230.4 WHr
Charging Time	8.5 H
Full Power Run Time	8.5 H
Max Run Time	29 H

Materials

LED Brand	LUMILEDS
LED Type	5050 (5.0W)
LED QTY	75PCS
Housing	Aluminum(AL6063-T5) +PC
Housing color	Silvery or Custom design

Others

Operating Temperature	-20℃ TO 60℃
Operating Humidity	20%-90% RH
Storage Temperature	-30℃ TO 80℃
Storage Humidity	10%-95% RH
Application	Outdoor
Warranty Time	3 years

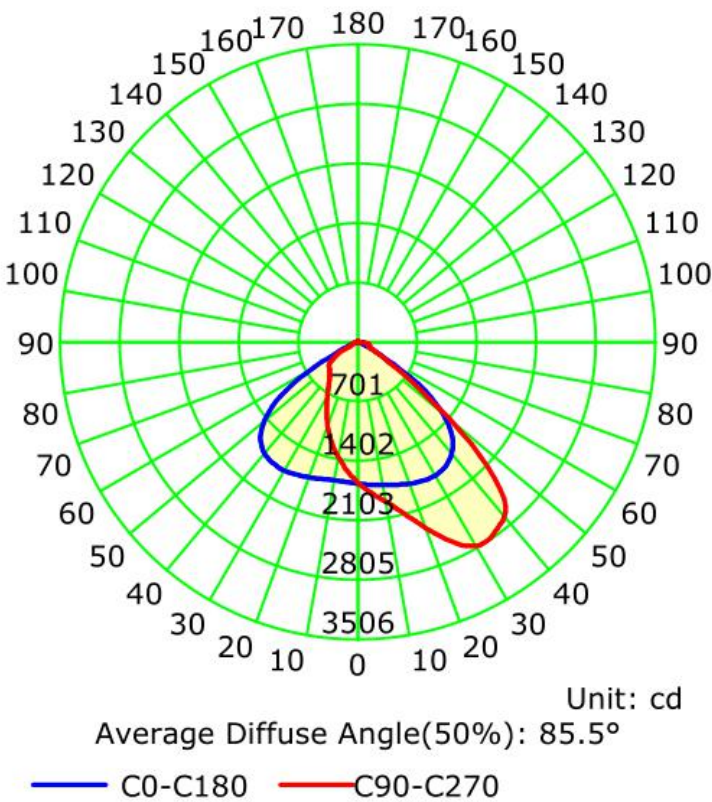
Light Distribution Testing Parameters

Photometric Results

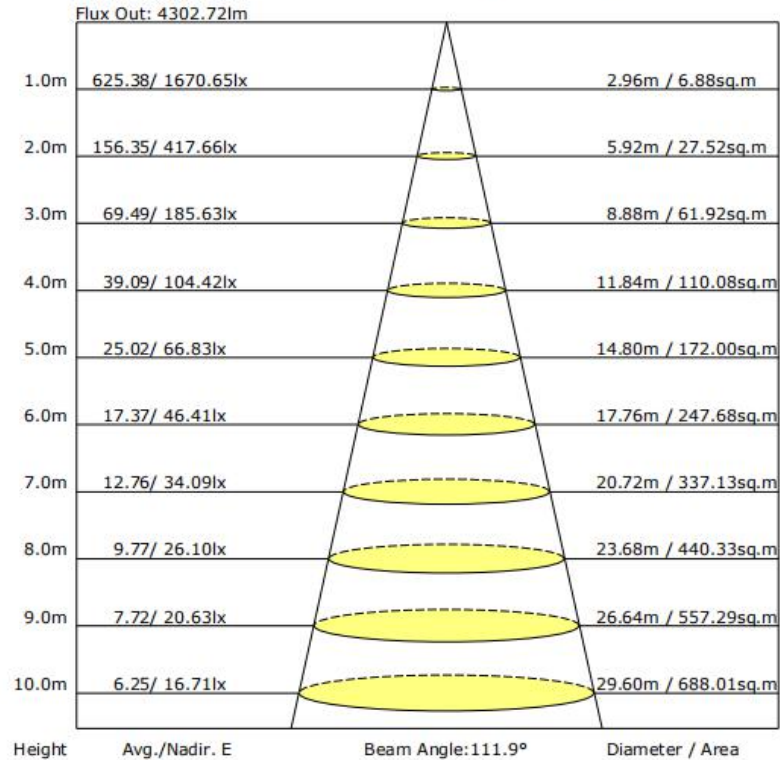
IES Classification: Type II
 Total Rated Lamp Lumens: 4868.8 lm
 Efficiency: 100%
 Upward Ratio: 1%
 Central Intensity: 1670.65 cd
 Pos of Max. Intensity: H75 V33

Longitudinal Classification: Very Short
 Measurement Flux: 4868.8 lm
 Downward Ratio: 99%
 Luminaire Efficacy Rating (LER): 4868.86
 Max. Intensity: 2805.08 cd

Luminous Intensity Distribution Curve



The Average Illuminance Effective Figure



Package

Lamps Net Weight: 9.8 Kg/pc

	Size	Qty/ Carton	Weight/ Carton
Outer box	1105 x 380 x160mm	1	11.5 KG

Working modes description

Three working modes (M1, M2, M3), select as needed

1. M1, Green indicator, 5H 100% brightness, then 5H 30% brightness + PIR (100% brightness maintained for 30 seconds), then 70% brightness to dawn;
 2. M2, Orange indicator, the brightness is constant at 70% to dawn;
 3. M3, Red indicator, 30% brightness + PIR(100% brightness maintained for 30 seconds) to dawn;
- Short press the button to switch the working mode from M1 to M2 or M3, and the corresponding indicator light will turn on for reminding.

Special Notes:

1. once the solar panel receives sunlight or brightness, the fixture will be off and start charging;
2. Do not install the fixture under shadow or between two buildings with height higher than the fixture, or it will lead to insufficient absorption of sunlight and insufficient lighting brightness and time;
3. Do not use the fixture when the environment temperature is above 60 °C or below -20 °C ,or it will cause rapid attenuation of the battery and affect the battery's lifetime, even damage it;
4. Do not use non-standard installation accessories to install the fixture, any accident caused will be born by the operator;
5. Choose the appropriate working mode based on local sunlight, do not use M1 and M2 mode in those areas without enough sunlight. Or it will result in insufficient lighting brightness and time;
6. No-professionals, must not install and disassemble the fixtures.

Warning:

1. Keep the device away from fire and oil to avoid fire or explosion;
2. No one but professional technicians is allowed to disassemble the light in order to avoid damage of the light;
3. It is strictly forbidden to disassemble the battery for personal use;
4. If the fixture doesn' t get charged for 7 days, the battery may be out of power, please charge it under bright sunlight;
5. To ensure the fixture works in an ideal state for a long time, please clean the solar panel regularly according to the local dust conditions, our suggestion is one time at least half a year.

Trouble Shootings

Troubles	Check points
Flickering of the light	Turn off the power and turn on again in 3 minutes. If same phenomena occur, then call agencies
Stop working	Wait for sunlight to charge the fixture