



Disk Light Series

5CCT LED Disk Light

www.ameonlighting.com

DESCRIPTION

A flexible, low cost downlight solution for new construction and recessed can LED retrofit applications. It can be installed virtually anywhere, provides true color rendering with 90+ CRI, and can be continuously dimmed to 5% with standard dimmers. Ideal for healthcare, property management, hospitality, residential, office, retail, etc.



BASED ON SAMPLE SETTING. ACTUAL LUMENS MAY VARY.

MODEL#	WATTAGE	5CCT	LUMENS
C125C,BBS	15W	2700K	1308Lm
		3000K	1346Lm
		3500K	1417Lm
		4000K	1407Lm
		5000K	1309Lm

FEATURES

- Low profile, driverless design
- Continuous dimming from 5-100% with many Triac dimmers
- Surface mounts to a standard 5" junction box
- Retrofit into an existing recessed can

TECHNICAL SPECIFICATION

VOLTAGE	120V
POWER FREQUENCY	60Hz
POWER FACTOR	>0.9
5CCT	2700K 3000K 3500K 4000K 5000K
CRI	90
BEAM ANGLE	120°
LIFESPAN	≥35,000hours
OPERATING TEMP	(-4°F~ 122°F) -20~40 °C
DIMMING	Triac Dimming
RATING	Suitable for Dramp locations
WARRANTY	5 year limited

EASY TO INSTALL

Led disk light can be installed into any 5 or 6inch Recessed Can ,or 4inch Junction Box, ideal for under soffit and shower installations.

DIMMABLE

Compatible with most LED dimmers to give you a smooth, 100-5% dimming experience, so you can choose the right brightness for you. Please check the dimmer list for compatible models of dimmers!

LISTING

6-Listed. Energy Star.



CHANGE COLOR TEMPERATURE WITH THE SIMPLE FLIP OF A SWITCH

Specification subject to change without notice



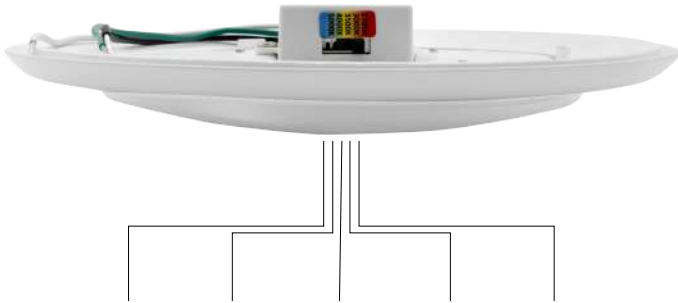
Catalog Number :

Project Name :

Note :

Date :

Type :

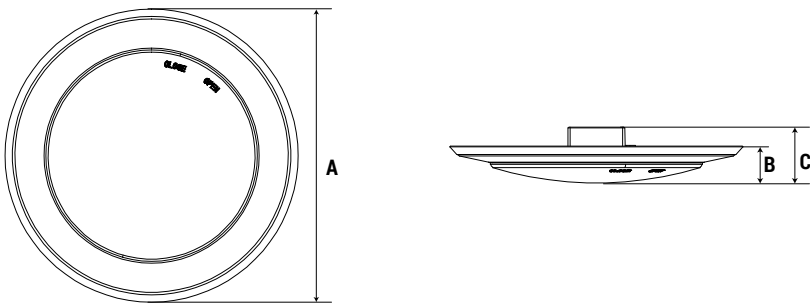


LUTRON		LEVITON
GT-600P	DV-600PR-WH	6672
DVCL-153P	MACL-153M//MA-R	RNL06
TGCL-153PH-LA	SCL-153PH-WH	IPL06
MSCL-OP153M	CTCL-153PDH-WH	DSL06
SLV-600P-AL	TG-600PR-WH	6674
PD-6WCL	S-600PR-WH	VPI06-1LZ



Optional accessories		
PART	DESCRIPTION	QUANTITY
a	E26 Adapter	1
b	Mounting Springs	2

SIZE & DIMENSION



Size	A	B	C
6inch	7.2"(183mm)	0.9"(23mm)	1.39"(35.5mm)