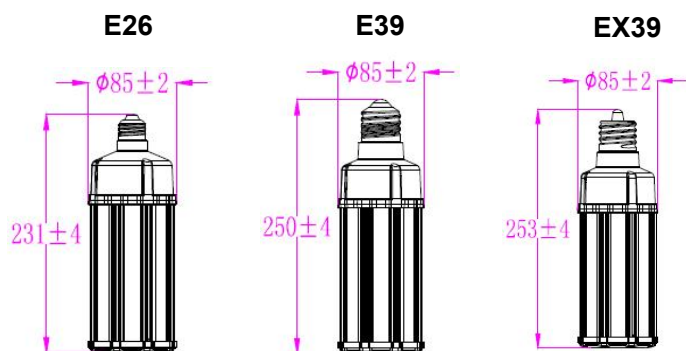


ITEM#2128

LED KING LIGHTING DISTRIBUTION
 E-mail: sales@ledkingtx.com
 www.ledkingtx.com



DIMENSIONS



NOTICE FOR USER

- Please turn off power before install or change assembly parts.
- The input voltage and lamps should be matched, after connecting the power line, Please make sure the wiring section is insulated.
- Make sure to remove or bypass the ballast in the fixtures before install the lamps.
- Suitable for damp locations. Do not use with dimmers.
- Suitable for use in enclosed luminaires, min. lamp compartment dimensions: 420*210*210MM.
- No-professionals, must not install and disassemble the lamps.

P/N:

AST-CLW08E-054WXYA1-adcK

Note:

CLW08E= Product series, LED Corn Light

054W = Rating Power

X = LED manufacturer, B= LUMILEDS

Y = Cover type, X=C, for Clear cover;

X=F, for Frosted cover

a= represent the lamp base type, can be "E" for E39, "EX" for EX39, BLANK for E26.

d= dimming type: "L" for Continuous dimming and "S" for Segmented dimmer

cK= represents CCT, can be two digital. 30K=3000K, 35K=3500K, 45K=4500K, 50K=5000K, 57K=5700K,

ADVANTAGE

- UL cUL certificate.
- E26 E39 EX39 lamp base.
- Can be with clear or frosted cover.
- Big heat sink, NO fan.
- Internal driver, input voltage AC100-277V. 0-10V dimming.
- Meet 4KV surge immunity level.
- Two dimming options are available, continuous dimming or segmented dimmer.
- Long lifespan and good heat dissipation.
- Easy installation.
- Fits many different fixtures to replace traditional lamps.

APPLICATION

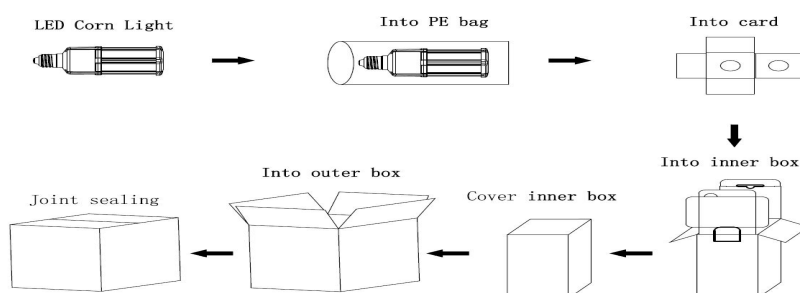
- Widely used in supermarket, warehouse, garage, home, office, hotel, hospital, school, street, garden etc.

SPECIFICATIONS

OPTICAL	Input Power (Tolerance : ±10%)	54W			
	Color Temperature	2700K	3000K	3500K	4000-6500K
	Lumen (Tolerance : -10%)-In Luminaires	7020LM	7560LM	7668LM	8100LM
	Efficacy (Tolerance : -3%)-In Luminaires	130LM/W	140LM/W	142LM/W	150LM/W
	CRI	>80			
	Color Consistency	6 Steps (or < 6 SDCM)			
	Diffuser Type	Clear (Optional :Frosted)			
	Viewing Angle	280 Degree			
ELECTRICAL	Input Voltage	100-277VAC 50/60Hz			
	PF	≥0.9			
	THD	≤20%			
	Flicker Percent	< 30%			
	Driver Surge protection	L-N: 4kV			
	Dimmable	YES			
	Equivalent	120W CFL, 175W MHL/HPS/HID			
MATERIALS	LED Brand	Lumileds			
	LED Type	SMD2835			
	LED QTY	238 pcs			
	Housing	PC + Aluminum			
	Housing Color	Any colour			
	Waterproof Rating	IP64			
OTHERS	Operating Temperature	-40°C TO 50°C			
	Operating Humidity	20%-70% RH			
	Storage Temperature	-40°C TO 80°C			
	Storage Humidity	10%-75% RH			
	Warranty Time	5 years warranty with 24/7 operating hours lamp lifetime at 25°C and in installed fixture.			

PACKAGE

	Size	Qty / Carton	Net Weight / Carton	Gross Weight / Carton
Inner box	90*90*285MM	1 PC	0.65KG	0.85 KG
Outer box	380*290*305MM	12 PCS	7.8 KG	11.2 KG



LIGHT DISTRIBUTION TESTING PARAMETERS

Remark: The testing data comes directly from the product test. < PC Clear >

Luminaire Property

Luminaire Manufacturer:

Voltage: 120.8 V

Power: 54.62 W

Current: 0.458 A

Power Factor: 0.986

Photometric Results

CIE Class: General Diffuse

Measurement Flux: 8154.2 lm

Downward Ratio: 53%

Horizontal Diffuse Angle(50%): H288.5

Vertical Diffuse Angle(50%): V288.9

Luminaire Efficacy Rating (LER): 149.34

Max. Intensity: 863.68 cd

S/MH(C0/C180): 3.68

Total Rated Lamp Lumens: 8154.2 lm

Efficiency: 100%

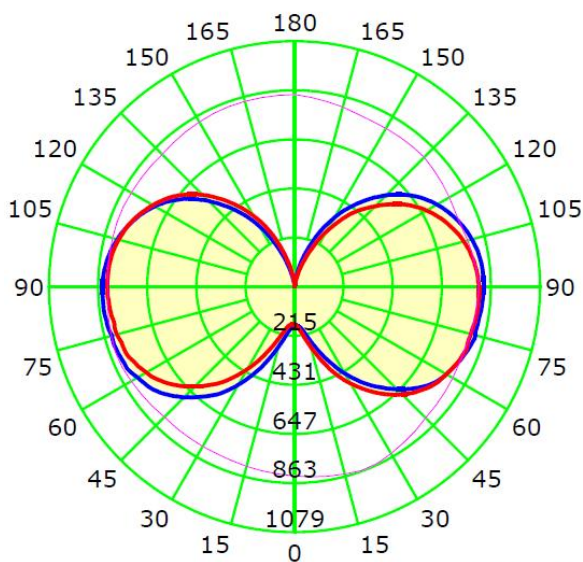
Upward Ratio: 47%

Central Intensity: 172.66 cd

Pos of Max. Intensity: H22.5 V90

S/MH(C90/C270): 3.69

Luminous Intensity Distribution Curve

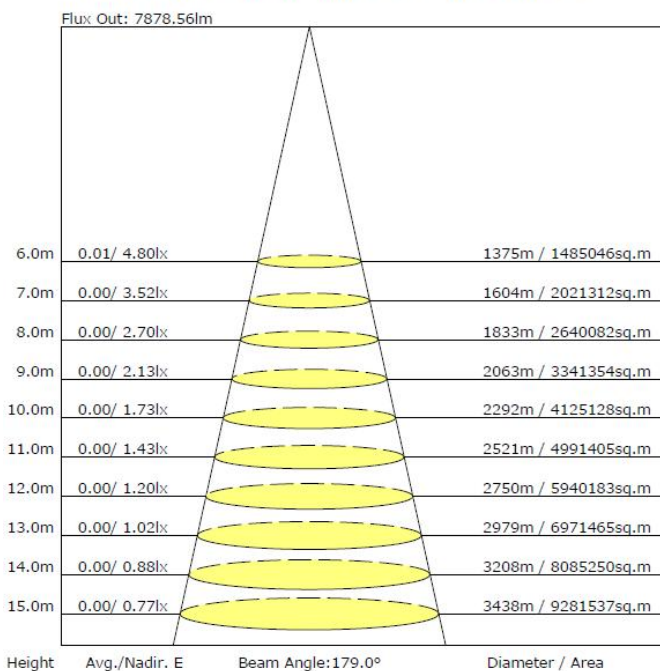


Unit: cd

Average Diffuse Angle(50%): 288.3°

— C0-C180 — C90-C270 — G90

The Average Illuminance Effective Figure



TROUBLE SHOOTINGS

Troubles	Check points
Flickering of the light	Turn off the power and turn on again in 3 minutes. If same phenomena occur, then call agencies.
Out of working	Please check the connection.