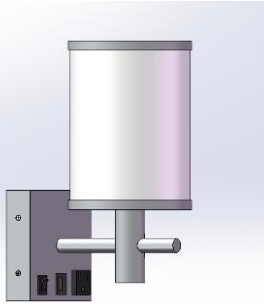
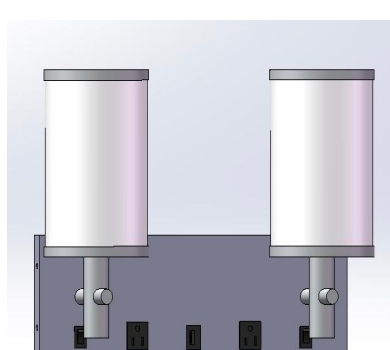


## WALL LAMP

### PRODUCT IMAGE



**Single wall acrylic collection**



**Double wall acrylic collection**

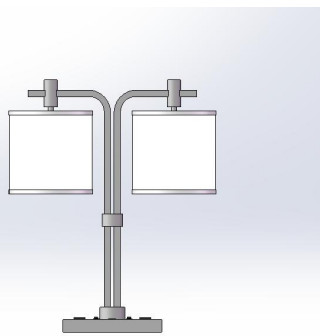


**Single table acrylic collection**

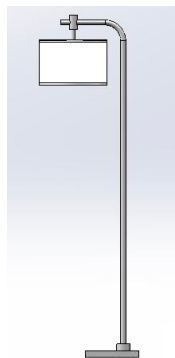
- ❖ **Finish:**brushed nickel
- ❖ **Shade:**frosted acrylic
- ❖ **Socket Type:**1×E26 bulb base(without bulb)
- ❖ **Switch:**1×rocker switch at base
- ❖ **Charging:**1×USB2.1A fast charge socket at base
- ❖ **Outlet:**1×convenience at base
- ❖ **Connection Type:**hardwired
- ❖ **Ordering Item:**:2335

- ❖ **Finish:**brushed nickel
- ❖ **Shade:**frosted acrylic
- ❖ **Socket Type:**2×E26 bulb base(without bulb)
- ❖ **Switch:**2×rocker switch at base
- ❖ **Charging:**1×USB2.1A fast charge socket at base
- ❖ **Outlet:**2×convenience at base
- ❖ **Connection Type:**hardwired
- ❖ **Ordering ITeM:**2336

- ❖ **Finish:**brushed nickel
- ❖ **Shade:**frosted acrylic
- ❖ **Socket Type:**1×E26 bulb base(without bulb)
- ❖ **Switch:**1×rocker switch at base
- ❖ **Charging:**1×USB2.1A fast charge socket at base
- ❖ **Outlet:**1×convenience at base
- ❖ **Connection Type:**hardwired
- ❖ **Ordering ITeM:**2337



**Double table acrylic collection**

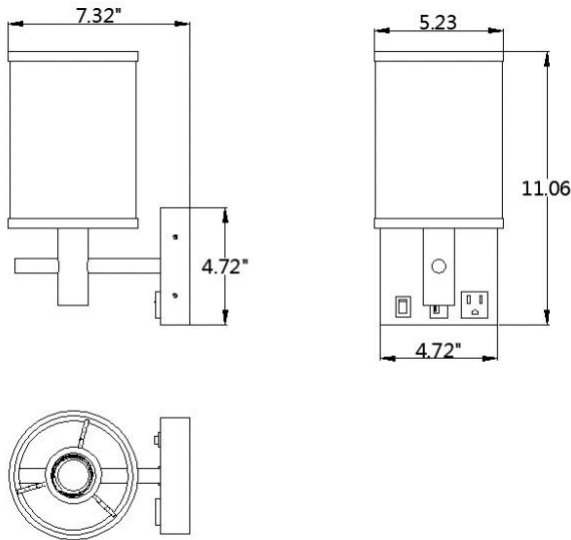


**Floor lamp acrylic collection**

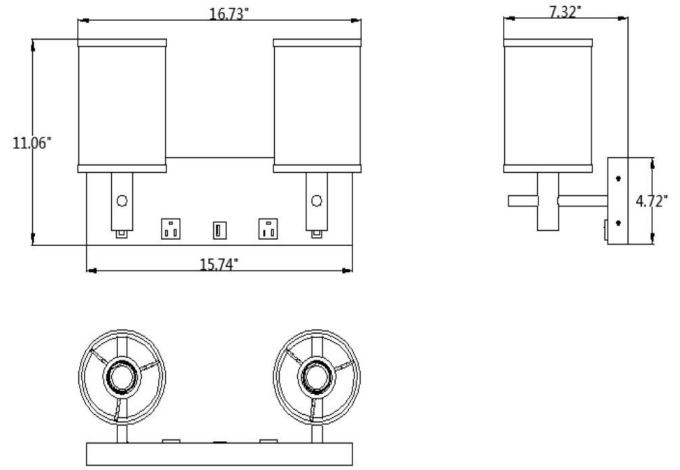
- ❖ **Finish:**brushed nickel
- ❖ **Shade:**frosted acrylic
- ❖ **Socket Type:**2×E26 bulb base(without bulb)
- ❖ **Switch:**2×rocker switch at base
- ❖ **Charging:**1×USB2.1A fast charge socket at base
- ❖ **Outlet:**2×convenience at base
- ❖ **Connection Type:**hardwired
- ❖ **Ordering ITeM:**2338

- ❖ **Finish:**brushed nickel
- ❖ **Shade:**frosted acrylic
- ❖ **Socket Type:**1×E26 bulb base(without bulb)
- ❖ **Switch:**1×rocker switch at body
- ❖ **Outlet:**1×convenience at base
- ❖ **Connection Type:**hardwired
- ❖ **Material:**metal body
- ❖ **Ordering ITeM:**2339

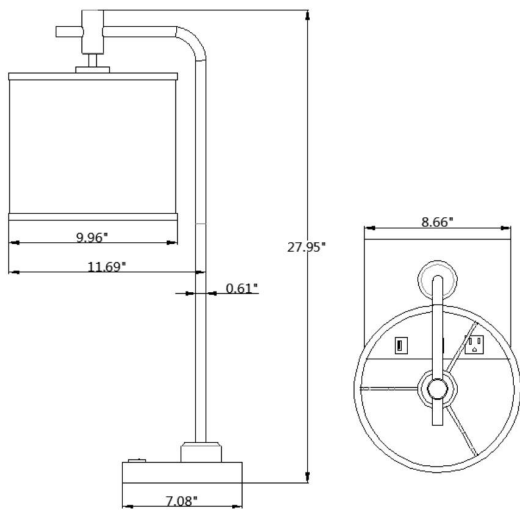
**DIMENSION**



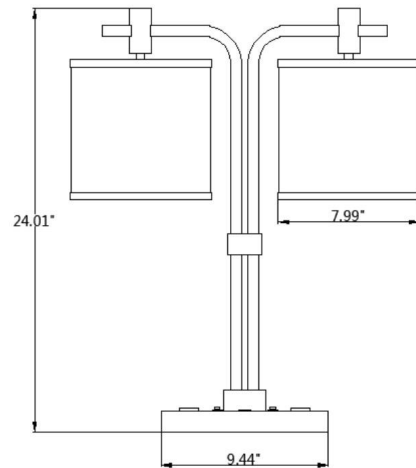
**SINGLE WALL ACRYLIC COLLECTION**



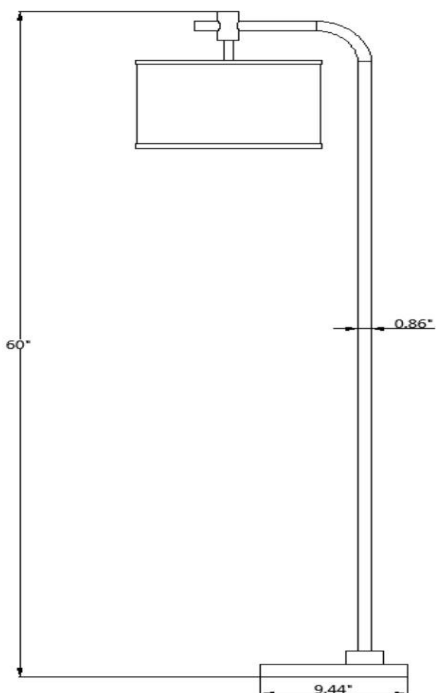
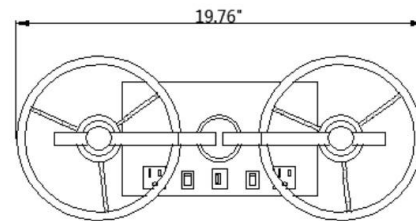
**DOUBLE WALL ACRYLIC COLLECTION**



**SINGLE TABLE ACRYLIC COLLECTION**



**DOUBLE TABLE ACRYLIC COLLECTION**



**FLOOR LAMP ACRYLIC COLLECTION**

